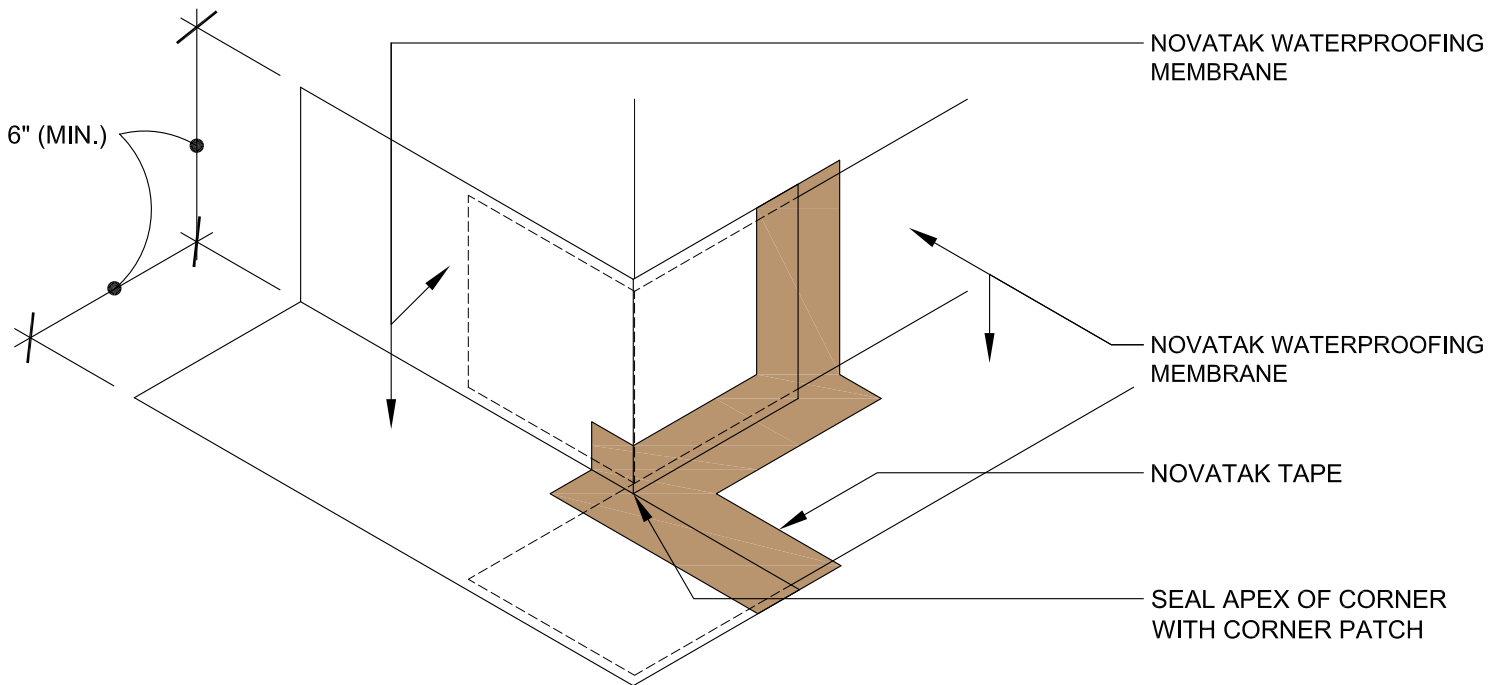


STEP #1



STEP #2