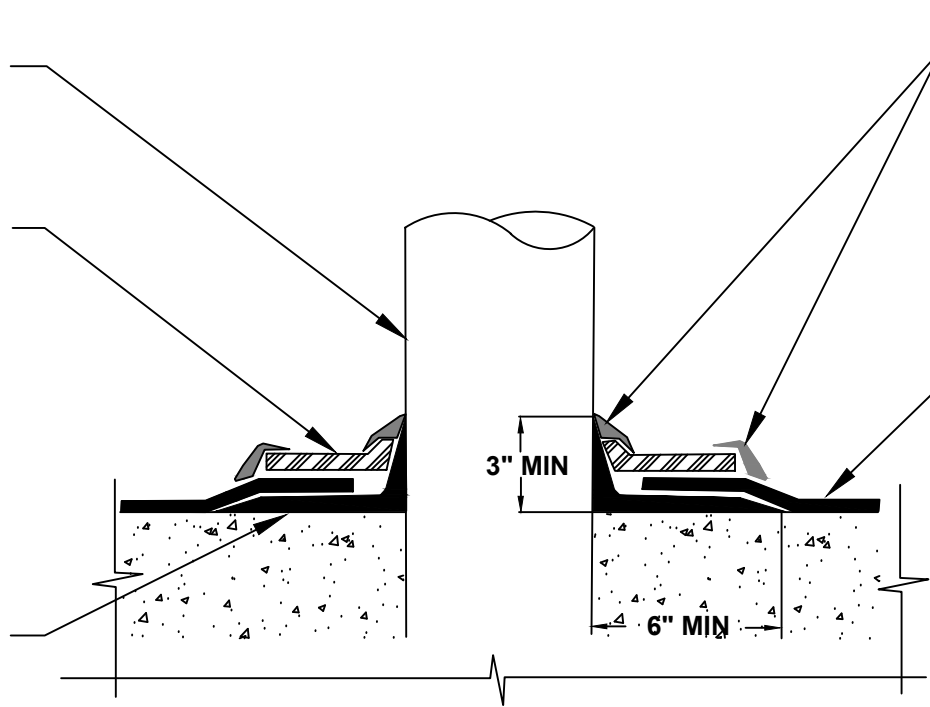


SECURED PENETRATION MEMBER
 CLEAN AND ABRAID 3" OF THE
 BASE OF PENETRATION
 SIDEWALLS. APPLY PRIMETAK
 LIQUID ADHESIVE, CALIFORNIA
 SEALANT, OR ST LIQUID ADHESIVE
 TO SIDEWALLS AT A RATE OF 250 -
 300 SQ. FT PER GALLON

TARGET PATCH OF PRIMETAK
 MEMBRANE TO CREATE A TIGHT
 SEAL AROUND PENETRATION

PRIMETAK DETAIL SEALANT OR
 LIQUID MEMBRANE APPLY 6" ON
 TO RAW CONCRETE AND 3" ONTO
 ABRAIDED AND PRIMED
 PENETRATION



PRIMETAK DETAIL SEALANT OR
 LIQUID MEMBRANE APPLIED TO
 TERMINAL EDGES OF TARGET
 PATCH

FIELD SHEET OF PRIMETAK
 MEMBRANE ROUGH FIT AROUND
 PENETRATION APPLIED TO
 SUBSTRATE PREPARED WITH
 PRIMETAK LIQUID ADHESIVE,
 CALIFORNIA SEALANT OR ST
 ADHESIVE APPLIED AT A RATE OF
 250 TO 300 SQ FT. PER GALLON
 AND OVER TOP OF PRIMTETAK
 DETAIL SEALANT OR LIQUID
 MEMBRANE

KINGFIELD CONSTRUCTION PRODUCTS 20 N 4th St, Suite 300 Minneapolis, MN 55401 e: info@kingfieldcp.com o/f: 612.225.5167	SECTION@ HORIZONTAL PENETRATION WETERPROOFING SPECIAL NOTE: IF ADHESIVE IS REQUIRED FOR SEAMS OR ENDLAPS DO NOT USE ST LIQUID ADHESIVE	DRAWING NO. : PRI.04
		SCALE : NOT TO SCALE
		EFFECTIVE DATE : .