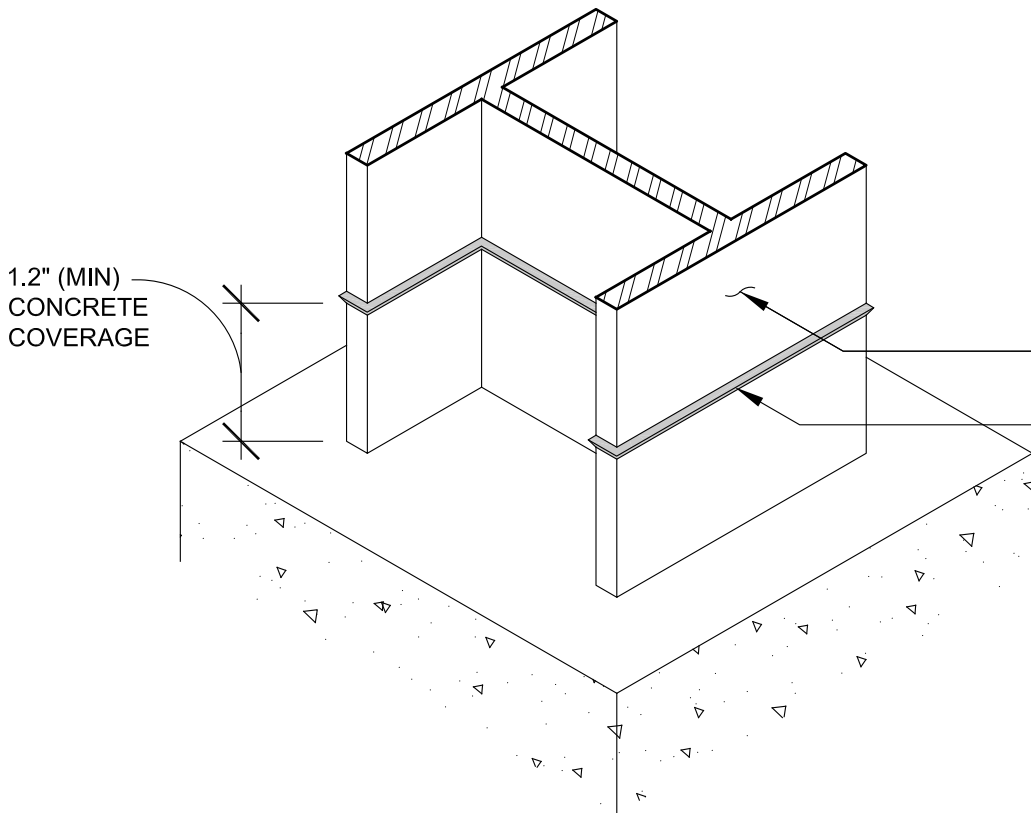


STEEL PILE OR COLUMN

BENTOTAK DS



1.2" (MIN)
CONCRETE
COVERAGE

STEEL PILE OR COLUMN

BENTOTAK DS

KINGFIELD
CONSTRUCTION PRODUCTS

OFFICE: 612.225.5167 www.kingfieldcp.com

STEEL PILES
WATERSTOPS

DRAWING NO. : BEN-2.03v1

SCALE : NOT TO SCALE

EFFECTIVE DATE : .