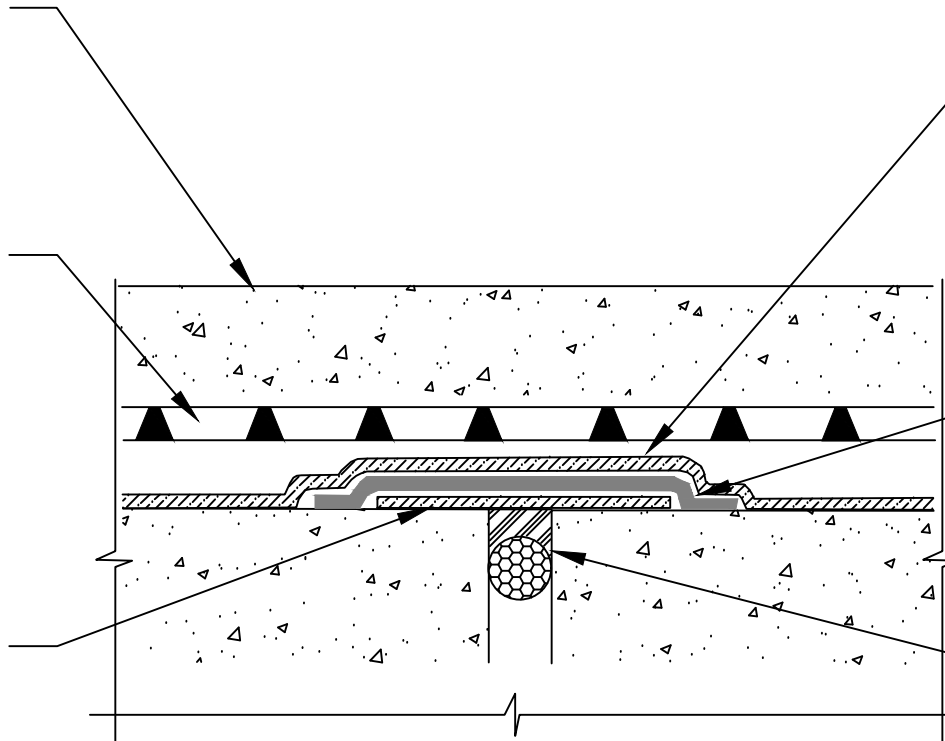


TOPPING SLAB, PAVERS OR
THIN SET MORTAR TILE
SYSTEM AND EXPANSION
JOINT BY OTHERS

K-DRAIN COMPOSITE
DRAINBOARD
- DRAIN MESH FACING SHOULD
FACE THE TOPPING SLAB OR
PROTECTION BOARD

8" STRIP OF PRIMETAK
DETAIL TAPE -OR- PRIMETAK
MEMBRANE INVERTED AND
CENTERED OVER JOINT
(ADHESIVE SIDE UP)



FIELD COVERAGE OF
PRIMETAK MEMBRANE APPLIED
TO SUBSTRATE PREPARED
WITH PRIMETAK LIQUID
ADHESIVE, CALIFORNIA
SEALANT OR ST LIQUID
ADHESIVE AT A RATE OF 250 TO
350 SQ. FT. PER GALLON

12" STRIP OF DETAIL
MEMBRANE/TAPE -OR-
PRIMETAK MEMBRANE
CENTERED OVER 8" BEYOND
INVERTED MEMBRANE AND
APPLIED TO SUBSTRATE
PREPARED WITH PRIMETAK
LIQUID ADHESIVE, CALIFORNIA
SEALANT OR ST LIQUID
ADHESIVE AT A RATE OF 250 TO
350 SQ. FT. PER GALLON

BACKER ROD & SEALANT (BY
OTHERS)

KINGFIELD
CONSTRUCTION PRODUCTS

20 N 4th St, Suite 300
Minneapolis, MN 55401
e: info@kingfieldcp.com
o/f: 612.225.5167

SECTION@ HORIZONTAL EXPANSION JOINT COVER

**SPECIAL NOTE: IF ADHESIVE IS REQUIRED FOR SEAMS
OR ENDLAPS DO NOT USE ST LIQUID ADHESIVE**

DRAWING NO. : PRI.06

SCALE : NOT TO SCALE

EFFECTIVE DATE : .