

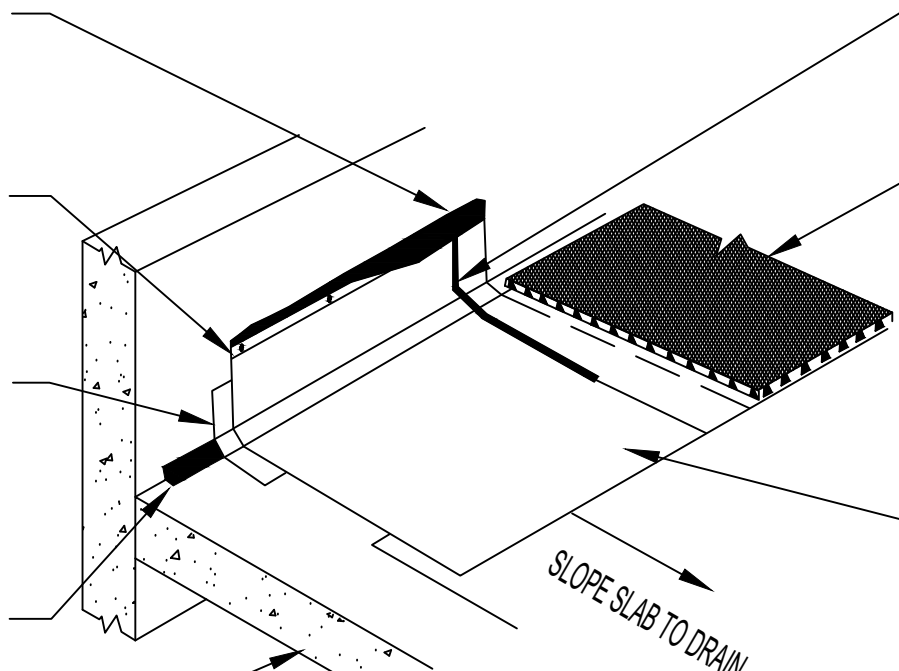
PRIMETAK DETAIL SEALANT OR LIQUID MEMBRANE APPLIED TO THE TOP OF THE TERMINATION BAR AND COVERING A MINIMUM 1/8" BEYOND PERIMETER OF FASTENER HEADS

1/8" X 1" METAL TERMINATION BAR FASTENED AT 8" SPACING AND 2" FROM EACH END

12" DETAIL STRIP/TAPE APPLIED TO INSIDE AND OUTSIDE CORNERS PREPARED WITH PRIMETAK LIQUID ADHESIVE, CALIFORNIA SEALANT OR ST LIQUID ADHESIVE AT A RATE OF 250 - 300 SQ. FT. PER GALLON

3/4" FILLET OF PRIMETAK DETAIL SEALANT OR LIQUID MEMBRANE APPLIED TO RAW CONCRETE

SUBSTRATE



PRIMETAK DETAIL SEALANT OR LIQUID MEMBRANE MINIMUM 12" ONTO SEAMS EXTENDING FROM WALL TO SLAB INTERSECTIONS - TOOL TO A MINIMUM 30 MIL THICKNESS AND 1" TO EACH SIDE OF THE EDGE

K-DRAIN COMPOSITE DRAINBOARD OR PROTECTION - WOVEN MESH FACING TOPPING SLAB

PRIMETAK MEMBRANE APPLIED TO SUBSTRATES PREPARED WITH PRIMETAK LIQUID ADHESIVE, CALIFORNIA SEALANT OR ST AT A RATE OF 250 TO 300 SQ. FT. PER GALLON -OVERLAPS MINIMUM 2 1/2" SIDE AND 6" END LAPS - SHINGLE LAP TO DRAIN

SLOPE SLAB TO DRAIN

<p><b>KINGFIELD</b> CONSTRUCTION PRODUCTS</p> <p>20 N 4th St, Suite 300 Minneapolis, MN 55401 e: info@kingfieldcp.com o/f: 612.225.5167</p>	<p>OVERVIEW@ HORIZONTAL SLAB AT WALL TERMINATION</p>	<p>DRAWING NO. : PRI.07</p>
	<p><b>SPECIAL NOTE: IF ADHESIVE IS REQUIRED FOR SEAMS OR ENDLAPS DO NOT USE ST LIQUID ADHESIVE</b></p>	<p>SCALE : NOT TO SCALE</p>
		<p>EFFECTIVE DATE : .</p>