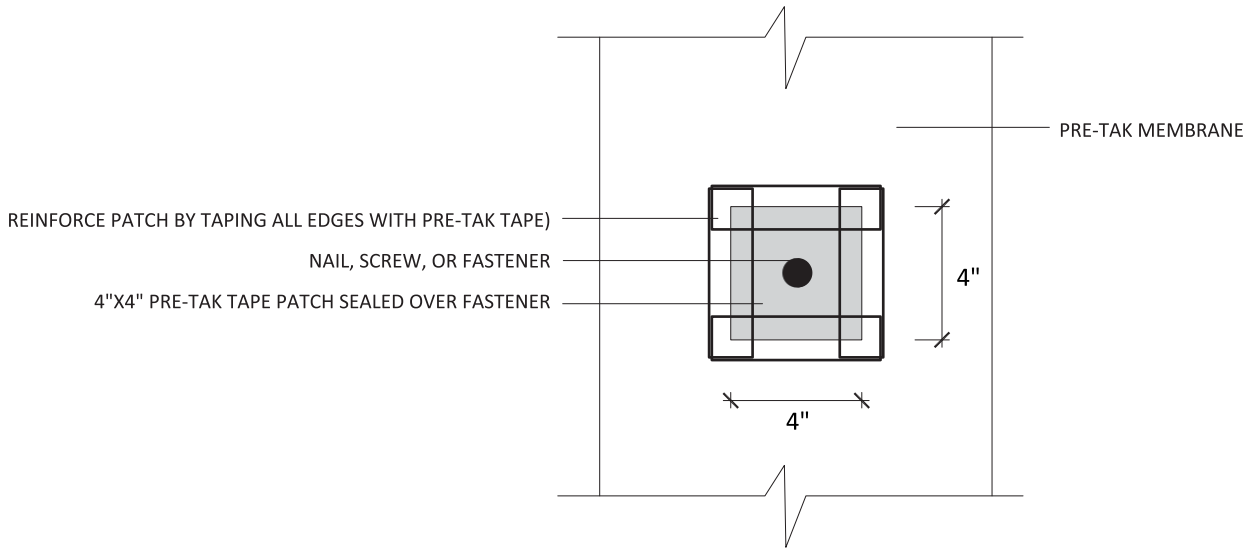
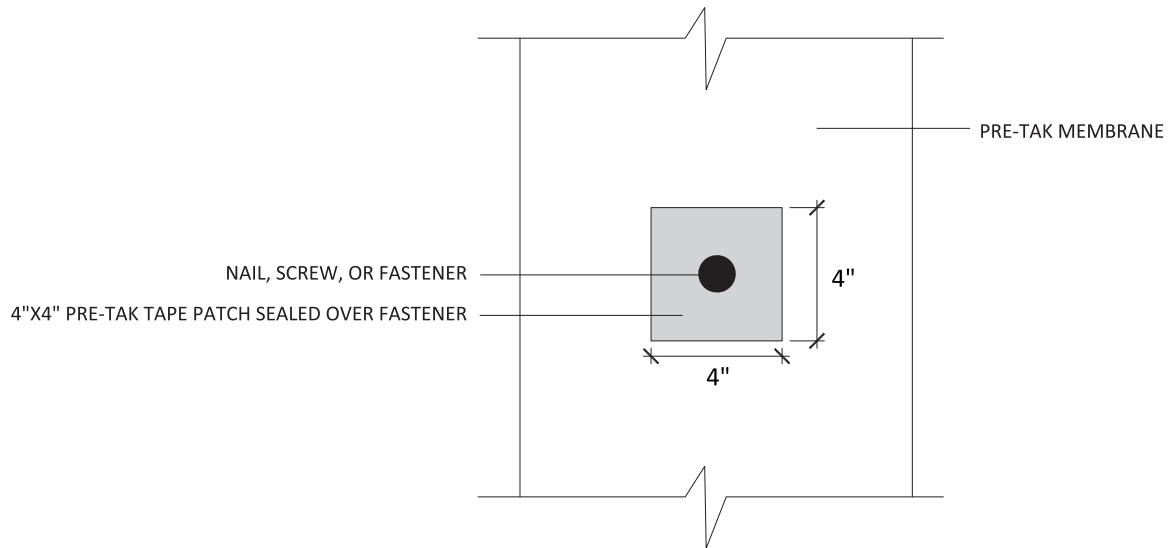


HYDROSTATIC CONDITIONS



NON-HYDROSTATIC CONDITIONS



KINGFIELD
CONSTRUCTION PRODUCTS

20 N 4th St, Suite 300
Minneapolis, MN 55401
e: info@kingfieldcp.com
o/f: 612.225.5167

OVERHEAD & VERTICAL FASTENER PATCH
HYDROSTATIC & NON-HYDROSTATIC CONDITIONS

DETAIL # PRE-002A

SYSTEM: PRE-TAK

ISSUED: 12/15/2017

SCALE: No To Scale