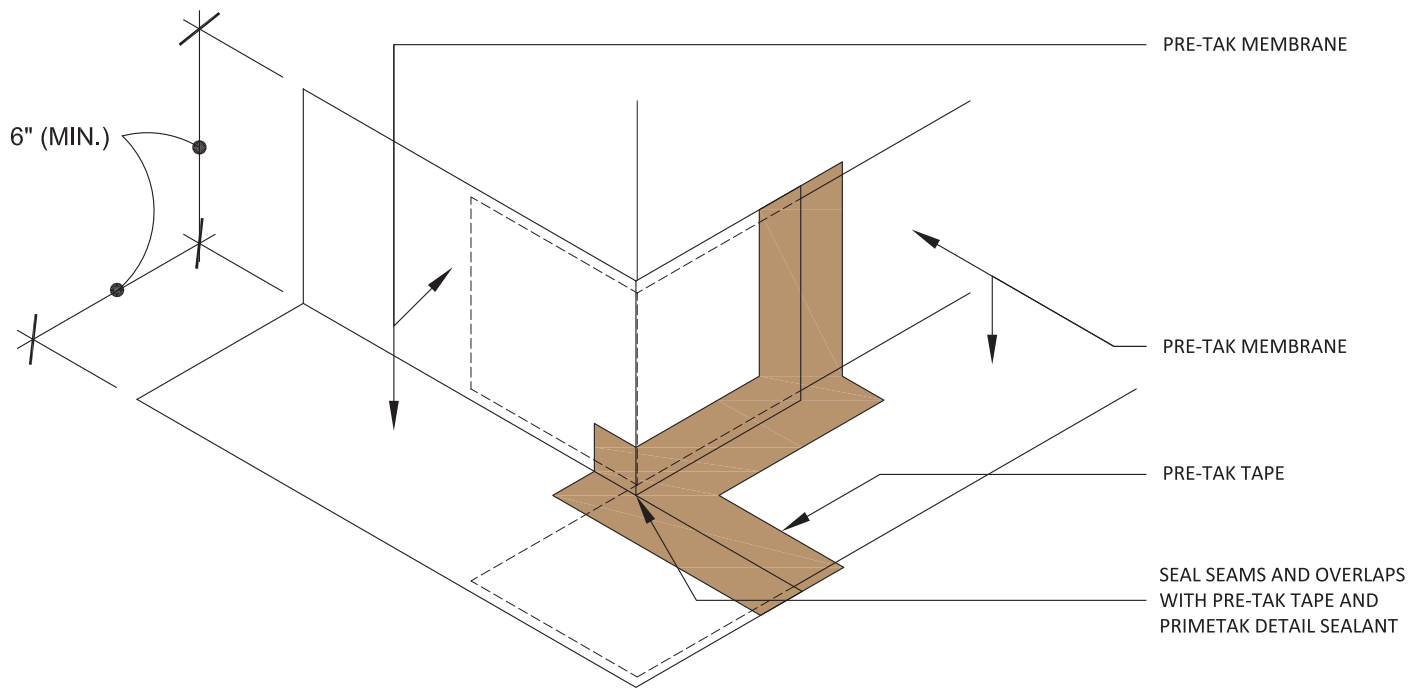


STEP #1



STEP #2

KINGFIELD
 CONSTRUCTION PRODUCTS
 20 N 4th St, Suite 300
 Minneapolis, MN 55401
 e: info@kingfieldcp.com
 o/f: 612.225.5167

OUTSIDE CORNER DETAIL
 CONDITION: BOTTOM OF WALL

DETAIL # PRE-003A
 SYSTEM: PRE-TAK
 ISSUED: 12/15/2017
 SCALE: No To Scale