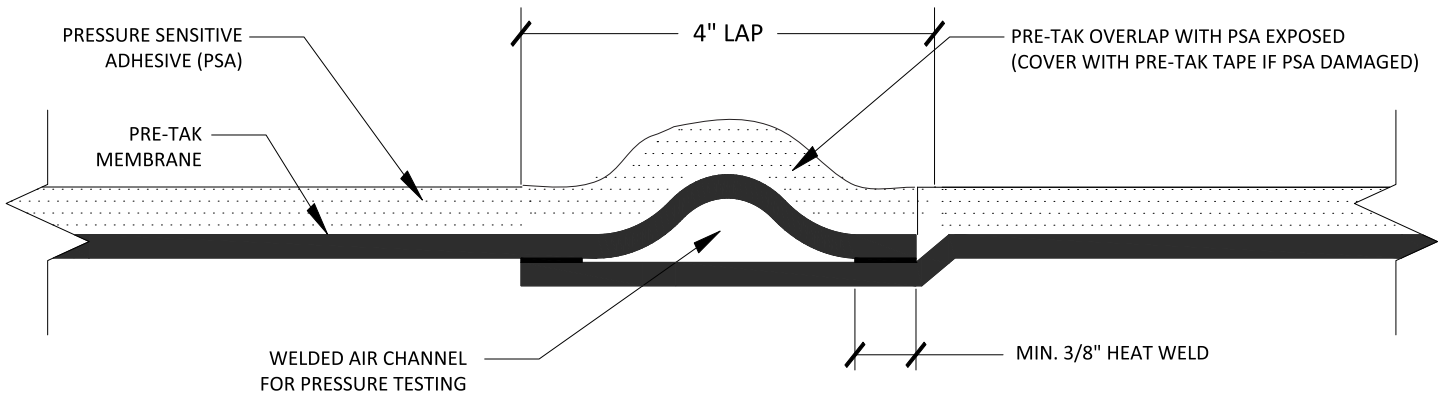
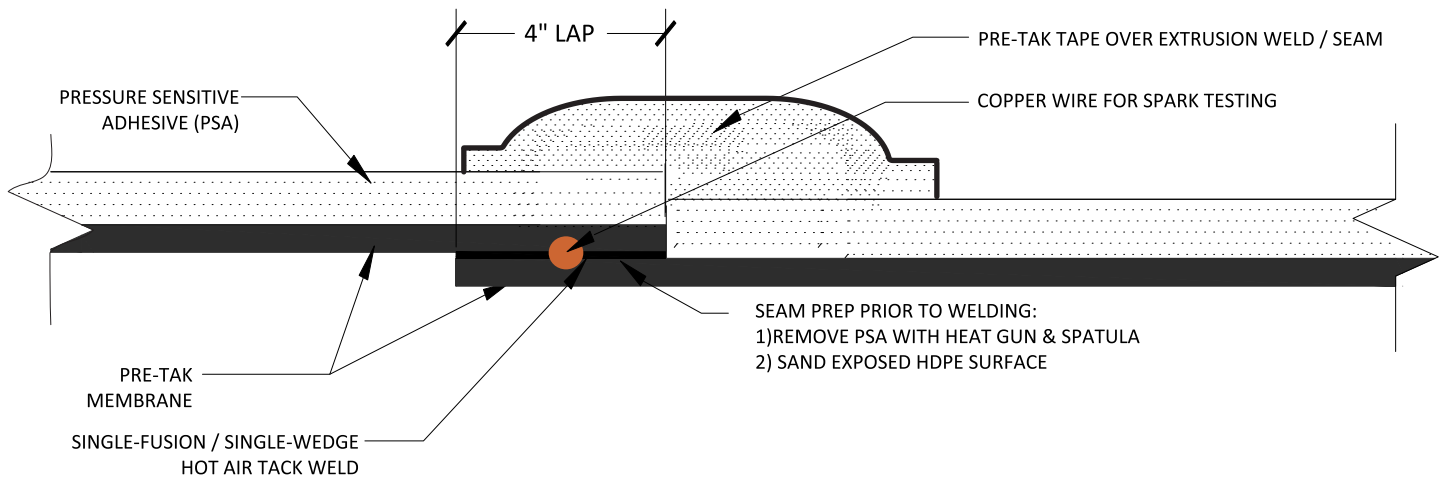


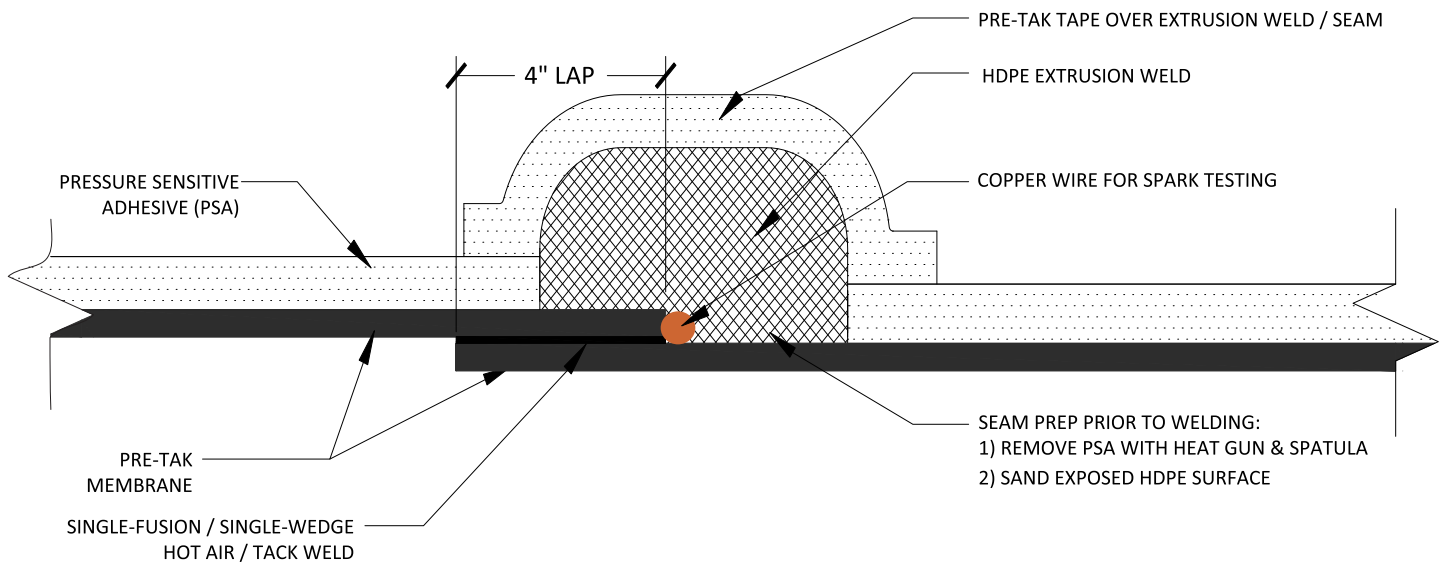
DOUBLE-FUSION / SPLIT-WEDGE HEAT WELD



SINGLE-FUSION / SINGLE-WEDGE / HOT AIR TACK HEAT WELD



EXTRUSION HEAT WELD



KINGFIELD
CONSTRUCTION PRODUCTS

20 N 4th St, Suite 300
Minneapolis, MN 55401
e: info@kingfieldcp.com
o/f: 612.225.5167

PRE-TAK HEAT-WELD DETAIL:

HEAT WELDED SEAMS

DETAIL # PRE-HW-002A

SYSTEM: PRE-TAK

ISSUED: 09/15/2018

SCALE: No To Scale